



Reverse Circulation Drilling Equipment



CONTENTS

The Characteristics of R.C Hammers	04
R.C. DTH Hammers	05
RC3-E531 R.C. Hammer	06
RC4-E004 R.C. Hammer	07
RC5-E542 R.C. Hammer	08
RC5-E543 R.C. Hammer	09
RC5-E545 R.C. Hammer	10

RC5-P40 R.C. Hammer	11
RC5.5-P52 R.C. Hammer	12
RC5.5-E547 R.C. Hammer	13
RC5.5-P54 R.C. Hammer	14
RC6-A R.C. Hammer	15
RC8-A R.C. Hammer	16
RC10-A R.C. Hammer	17
R.C. DTH Bits	18
R.C. DTH Pipes	24

The Characteristics Of RC Hammers

RC series reverse circulation DTH Hammer is the latest developed product of our company, it is mainly used for deep exploration drilling and stope ore grade control.

It has the following characteristics:

- ◆ Based on previous experience of ordinary hammers, combined with the features of reverse circulation hammer, optimized internal structure and ideal energy transfer, thus ensuring the series of hammers drilling with fast, smooth and continuous sampling.
- ◆ The internal structure is very simple with components of high rigidity, thus ensuring long life and easy maintenance of the hammer.
- ◆ The collection tube adopts an integrative design and can be replaced without disassembling the hammer. With carburizing treatment, it has good abrasive resistance.
- ◆ Equipped with bits designed with patent, simply by replacing the drill bit, the same hammer can drill holes of different sizes ensuring that the sample is not contaminated.
- ◆ In difficult conditions such as loose soil, hard rock and plenty of water exists, sampling can be done well.



R.C. DTH Hammer (i.e. MDRC3-E531)

MD	RC	3-	E531
Our Company Maxdrill	Reverse Circulation	3 inch hammer	Bit Shank

Decomposition	Item	Part Number	Description
	1	MDRC3-E531-01	Top Sub
	2	MDRC3-E531-02	"O" Ring of Adaptor Tube
	3	MDRC3-E531-03	Adaptor Tube
	4	MDRC3-E531-04	"O" Ring of Sample Tube
	5	MDRC3-E531-05	Sample Tube
	6	MDRC3-E531-06	Circlip of Top Sub
	7	MDRC3-E531-07	"O" Ring of Distributor Nozzle
	8	MDRC3-E531-08	"O" Ring of Distributor Nozzle
	9	MDRC3-E531-09	Distributor Nozzle
	10	MDRC3-E531-10	Plunger
	11	MDRC3-E531-11	"O" Ring of Plunger
	12	MDRC3-E531-12	Spring
	13	MDRC3-E531-13	Mount Sample Tube
	14	MDRC3-E531-14	Inner Cylinder
	15	MDRC3-E531-15	Circlip of Inner Cylinder
	16	MDRC3-E531-16	Piston
	17	MDRC3-E531-17	Piston Case
	18	MDRC3-E531-18	Seal Cover of Bush Drive Sub
	19	MDRC3-E531-19	Bush Drive Sub
	20	MDRC3-E531-20	Bit Retaining Ring
	21	MDRC3-E531-21	"O" Ring of Bit Retaining Ring
	22	MDRC3-E531-22	Shroud
	23	MDRC3-E531-23	Drive Sub
	24	MDRC3-E531-24	Drill Bit

Product Number

MDRC3-E531

Technical Parameters

Length(Less bit)	1069mm
Weight(Less bit)	28.4Kg
External diameter	ø81mm
Bit Shank	RE531
Hole Range	ø84-ø100
Connection Thread	3"Remet
Working Pressure	1.5-3.5Mpa
Impact rate at 2.4Mpa	40HZ
Recommended rotation speed	25-40r/min
Air Consumption (1.7Mpa)	9m ³ /min
Air Consumption (2.4Mpa)	14m ³ /min
Air Consumption (3.0Mpa)	18m ³ /min

Decomposition	Item	Part Number	Description
	1	MDRC4-E004-01	Circlip of Top Sub
	2	MDRC4-E004-02	"O" Ring of Adaptor Screen
	3	MDRC4-E004-03	Adaptor Screen
	4	MDRC4-E004-04	"O" Ring of Adaptor Screen
	5	MDRC4-E004-05	Top Sub
	6	MDRC4-E004-06	Plunger
	7	MDRC4-E004-07	"Y" Ring of Plunger
	8	MDRC4-E004-08	Spring
	9	MDRC4-E004-09	Sample Tube Upper
	10	MDRC4-E004-10	"O" Ring of Sample Tube
	11	MDRC4-E004-11	"O" Ring of Sample Tube
	12	MDRC4-E004-12	Sample Tube
	13	MDRC4-E004-13	Compression Buffer
	14	MDRC4-E004-14	Air Distributor
	15	MDRC4-E004-15	"O" Ring of Air Distributor
	16	MDRC4-E004-16	Inner Cylinder
	17	MDRC4-E004-17	Piston
	18	MDRC4-E004-18	Piston Case
	19	MDRC4-E004-19	Bush Drive Sub
	20	MDRC4-E004-20	Bit Retaining Ring
	21	MDRC4-E004-21	"O" Ring of Bit Retaining Ring
	22	MDRC4-E004-22	Shroud
	23	MDRC4-E004-23	Drive Sub
	24	MDRC4-E004-24	Drill Bit

Product Number

MDRC4-E004

Technical Parameters

Length(Less bit)	1252mm
Weight(Less bit)	52.8Kg
External diameter	ø107mm
Bit Shank	RE004
Hole Range	ø111-ø127
Connection Thread	3.5"/4"Remet 4"Metzke
Working Pressure	1.5-3.5Mpa
Impact rate at 2.4Mpa	40HZ
Recommended rotation speed	25-40r/min
Air Consumption (1.7Mpa)	12m ³ /min
Air Consumption (2.4Mpa)	17m ³ /min
Air Consumption (3.0Mpa)	20m ³ /min

Decomposition	Item	Part Number	Description
	1	MDRC5-E542-01	Circlip of Top Sub
	2	MDRC5-E542-02	"O" Ring of Adaptor Screen
	3	MDRC5-E542-03	Adaptor Screen
	4	MDRC5-E542-04	"O" Ring of Adaptor Screen
	5	MDRC5-E542-05	Top Sub
	6	MDRC5-E542-06	Sample Tube
	7	MDRC5-E542-07	"O" Ring of Sample Tube
	8	MDRC5-E542-08	Circlip of Inner Cylinder
	9	MDRC5-E542-09	Air Screen
	10	MDRC5-E542-10	Distributor Nozzle
	11	MDRC5-E542-11	"O" Ring of Distributor Nozzle
	12	MDRC5-E542-12	Plunger
	13	MDRC5-E542-13	"Y" Ring of Plunger
	14	MDRC5-E542-14	Spring
	15	MDRC5-E542-15	Mount Sample Tube
	16	MDRC5-E542-16	"Y" Ring of Mount Sample Tube
	17	MDRC5-E542-17	Inner Cylinder
	18	MDRC5-E542-18	"O" Ring of Inner Cylinder
	19	MDRC5-E542-19	Piston
	20	MDRC5-E542-20	Piston Case
	21	MDRC5-E542-21	Bush Drive Sub
	22	MDRC5-E542-22	"O" Ring of Bush Drive Sub
	23	MDRC5-E542-23	Bush Drive Sub Retaining Ring
	24	MDRC5-E542-24	Bit Retaining Ring
	25	MDRC5-E542-25	"O" Ring of Bit Retaining Ring
	26	MDRC5-E542-26	Shroud
	27	MDRC5-E542-27	Drive Sub
	28	MDRC5-E542-28	Drill Bit

Product Number

MDRC5-E542

Technical Parameters	
Length(Less bit)	1191mm
Weight(Less bit)	55.4Kg
External diameter	ø109.5mm
Bit Shank	RE542
Hole Range	ø113-ø130
Connection Thread	3.5"/4"Remet 4"Metzke
Working Pressure	1.5-3.5Mpa
Impact rate at 2.4Mpa	35HZ
Recommended rotation speed	25-40r/min
Air Consumption (1.7Mpa)	14m³/min
Air Consumption (2.4Mpa)	19m³/min
Air Consumption (3.0Mpa)	24m³/min

Decomposition	Item	Part Number	Description
	1	MDRC5-E543-01	Circlip of Top Sub
	2	MDRC5-E543-02	Adaptor Screen
	3	MDRC5-E543-03	"O" Ring of Adaptor Screen
	4	MDRC5-E543-04	Top Sub
	5	MDRC5-E543-05	Sample Tube
	6	MDRC5-E543-06	"O" Ring of Sample Tube
	7	MDRC5-E543-07	Circlip of Inner Cylinder
	8	MDRC5-E543-08	Air Screen
	9	MDRC5-E543-09	Distributor Nozzle
	10	MDRC5-E543-10	"O" Ring of Distributor Nozzle
	11	MDRC5-E543-11	Plunger
	12	MDRC5-E543-12	"Y" Ring of Plunger
	13	MDRC5-E543-13	Spring
	14	MDRC5-E543-14	Mount Sample Tube
	15	MDRC5-E543-15	"Y" Ring of Mount Sample Tube
	16	MDRC5-E543-16	Inner Cylinder
	17	MDRC5-E543-17	"O" Ring of Inner Cylinder
	18	MDRC5-E543-18	Piston
	19	MDRC5-E543-19	Piston Case
	20	MDRC5-E543-20	Bush Drive Sub
	21	MDRC5-E543-21	"O" Ring of Bush Drive Sub
	22	MDRC5-E543-22	Bush Drive Sub Retaining Ring
	23	MDRC5-E543-23	Bit Retaining Ring
	24	MDRC5-E543-24	"O" Ring of Bit Retaining Ring
	25	MDRC5-E543-25	Shroud
	26	MDRC5-E543-26	Drive Sub
	27	MDRC5-E543-27	Drill Bit

Product Number

MDRC5-E543

Technical Parameters	
Length(Less bit)	1191mm
Weight(Less bit)	62.2Kg
External diameter	ø116mm
Bit Shank	RE543
Hole Range	ø120-ø135
Connection Thread	4" / 4.5" Remet 4" / 4.5" Metzke
Working Pressure	1.5-3.5Mpa
Impact rate at 2.4Mpa	35HZ
Recommended rotation speed	25-40r/min
Air Consumption (1.7Mpa)	14m ³ /min
Air Consumption (2.4Mpa)	19m ³ /min
Air Consumption (3.0Mpa)	24m ³ /min

Decomposition	Item	Part Number	Description
	1	MDRC5-E545-01	Circlip of Top Sub
	2	MDRC5-E545-02	"O" Ring of Adaptor Screen
	3	MDRC5-E545-03	Adaptor Screen
	4	MDRC5-E545-04	"O" Ring of Adaptor Screen
	5	MDRC5-E545-05	Top Sub
	6	MDRC5-E545-06	Sample Tube
	7	MDRC5-E545-07	"O" Ring of Sample Tube
	8	MDRC5-E545-08	Circlip of Inner Cylinder
	9	MDRC5-E545-09	Air Screen
	10	MDRC5-E545-10	Distributor Nozzle
	11	MDRC5-E545-11	"O" Ring of Distributor Nozzle
	12	MDRC5-E545-12	Plunger
	13	MDRC5-E545-13	"Y" Ring of Plunger
	14	MDRC5-E545-14	Spring
	15	MDRC5-E545-15	Inner Cylinder
	16	MDRC5-E545-16	"O" Ring of Inner Cylinder
	17	MDRC5-E545-17	Piston
	18	MDRC5-E545-18	Piston Case
	19	MDRC5-E545-19	Bush Drive Sub
	20	MDRC5-E545-20	"O" Ring of Bush Drive Sub
	21	MDRC5-E545-21	Bush Drive Sub Retaining Ring
	22	MDRC5-E545-22	Bit Retaining Ring
	23	MDRC5-E545-23	"O" Ring of Bit Retaining Ring
	24	MDRC5-E545-24	Shroud
	25	MDRC5-E545-25	Drive Sub
	26	MDRC5-E545-26	Drill Bit

Product Number

MDRC5-E545

Technical Parameters	
Length(Less bit)	1234mm
Weight(Less bit)	64.2Kg
External diameter	ø117.5mm
Bit Shank	RE545
Hole Range	ø122-ø140
Connection Thread	3.5"/4"/4.5" Remet 4.5" Metzke
Working Pressure	1.5-3.5Mpa
Impact rate at 2.4Mpa	35HZ
Recommended rotation speed	25-40r/min
Air Consumption (1.7Mpa)	14m³/min
Air Consumption (2.4Mpa)	19m³/min
Air Consumption (3.0Mpa)	24m³/min

Decomposition	Item	Part Number	Description
	1	MDRC5-P40-01	Top Sub
	2	MDRC5-P40-02	"O" Ring of Adaptor Tube
	3	MDRC5-P40-03	Adaptor Tube
	4	MDRC5-P40-04	Airscreen Bottom Load
	5	MDRC5-P40-05	"O" Ring of Airscreen Bottom Load
	6	MDRC5-P40-06	Circlip of Adaptor Tube
	7	MDRC5-P40-07	Plunger
	8	MDRC5-P40-08	"Y" Ring of Plunger
	9	MDRC5-P40-09	Spring
	10	MDRC5-P40-10	Make Up Ring, Steel
	11	MDRC5-P40-11	Make Up Ring, Viton
	12	MDRC5-P40-12	"O" Ring of Air Distributor
	13	MDRC5-P40-13	Air Distributor
	14	MDRC5-P40-14	"O" Ring of Sample Tube
	15	MDRC5-P40-15	"O" Ring of Sample Tube
	16	MDRC5-P40-16	Sample Tube
	17	MDRC5-P40-17	"O" Ring of Mount Sample Tube
	18	MDRC5-P40-18	Mount Sample Tube
	19	MDRC5-P40-19	Inner Cylinder
	20	MDRC5-P40-20	Piston
	21	MDRC5-P40-21	Piston Case
	22	MDRC5-P40-22	Bush Drive Sub Retaining Ring
	23	MDRC5-P40-23	Bush Drive Sub
	24	MDRC5-P40-24	"O" Ring of Bush Drive Sub
	25	MDRC5-P40-25	"O" Ring of Bush Drive Sub
	26	MDRC5-P40-26	Bit Retaining Ring
	27	MDRC5-P40-27	"O" Ring of Bit Retaining Ring
	28	MDRC5-P40-28	Shroud
	29	MDRC5-P40-29	Drive Sub
	30	MDRC5-P40-30	Drill Bit

Technical Parameters

Length(Less bit)	1362mm
Weight(Less bit)	72.9Kg
External diameter	ø120.5mm
Bit Shank	PR40
Hole Range	ø124-ø142
Connection Thread	3.5"/4"/4.5"Remet 3.5"/4.5"Metzke
Working Pressure	1.5-3.5Mpa
Impact rate at 2.4Mpa	35HZ
Recommended rotation speed	25-40r/min
Air Consumption (1.7Mpa)	14m³/min
Air Consumption (2.4Mpa)	19m³/min
Air Consumption (3.0Mpa)	24m³/min

Product Number

MDRC5-P40

Decomposition	Item	Part Number	Description
	1	MDRC5.5-P52-01	"O" Ring of Adaptor Tube
	2	MDRC5.5-P52-02	Adaptor Tube
	3	MDRC5.5-P52-03	Circlip of Top Sub
	4	MDRC5.5-P52-04	Airscreen Top Load
	5	MDRC5.5-P52-05	Circlip of Adaptor Tube
	6	MDRC5.5-P52-06	Top Sub
	7	MDRC5.5-P52-07	Plunger
	8	MDRC5.5-P52-08	"Y" Ring of Plunger
	9	MDRC5.5-P52-09	Spring
	10	MDRC5.5-P52-10	Make Up Ring, Steel
	11	MDRC5.5-P52-11	Make Up Ring, Viton
	12	MDRC5.5-P52-12	"O" Ring of Air Distributor
	13	MDRC5.5-P52-13	Air Distributor
	14	MDRC5.5-P52-14	"O" Ring of Sample Tube
	15	MDRC5.5-P52-15	"O" Ring of Sample Tube
	16	MDRC5.5-P52-16	Sample Tube
	17	MDRC5.5-P52-17	"O" Ring of Mount Sample Tube
	18	MDRC5.5-P52-18	Mount Sample Tube
	19	MDRC5.5-P52-19	Inner Cylinder
	20	MDRC5.5-P52-20	Piston
	21	MDRC5.5-P52-21	Piston Case
	22	MDRC5.5-P52-22	Bush Drive Sub Retaining Ring
	23	MDRC5.5-P52-23	Bush Drive Sub
	24	MDRC5.5-P52-24	"O" Ring of Bush Drive Sub
	25	MDRC5.5-P52-25	"O" Ring of Bush Drive Sub
	26	MDRC5.5-P52-26	Bit Retaining Ring
	27	MDRC5.5-P52-27	"O" Ring of Bit Retaining Ring
	28	MDRC5.5-P52-28	Shroud
	29	MDRC5.5-P52-29	Drive Sub
	30	MDRC5.5-P52-30	Drill Bit

Technical Parameters

Length(Less bit)	1227mm
Weight(Less bit)	69.6Kg
External diameter	ø121mm
Bit Shank	PR52
Hole Range	ø126-ø146
Connection Thread	4"/4.5"Remet 4"/4.5"Metzke
Working Pressure	1.5-3.5Mpa
Impact rate at 2.4Mpa	35HZ
Recommended rotation speed	25-40r/min
Air Consumption (1.7Mpa)	16m ³ /min
Air Consumption (2.4Mpa)	22m ³ /min
Air Consumption (3.0Mpa)	27m ³ /min

Product Number

MDRC5.5-P52

Decomposition	Item	Part Number	Description
	1	MDRC5.5-E547-01	Circlip of Top Sub
	2	MDRC5.5-E547-02	"O" Ring of Adaptor Screen
	3	MDRC5.5-E547-03	Adaptor Screen
	4	MDRC5.5-E547-04	"O" Ring of Adaptor Screen
	5	MDRC5.5-E547-05	Top Sub
	6	MDRC5.5-E547-06	Sample Tube
	7	MDRC5.5-E547-07	"O" Ring of Sample Tube
	8	MDRC5.5-E547-08	Circlip of Inner Cylinder
	9	MDRC5.5-E547-09	Air Screen
	10	MDRC5.5-E547-10	Distributor Nozzle
	11	MDRC5.5-E547-11	"O" Ring of Distributor Nozzle
	12	MDRC5.5-E547-12	Plunger
	13	MDRC5.5-E547-13	"Y" Ring of Plunger
	14	MDRC5.5-E547-14	Spring
	15	MDRC5.5-E547-15	Inner Cylinder
	16	MDRC5.5-E547-16	"O" Ring of Inner Cylinder
	17	MDRC5.5-E547-17	Piston
	18	MDRC5.5-E547-18	Piston Case
	19	MDRC5.5-E547-19	Bush Drive Sub
	20	MDRC5.5-E547-20	"O" Ring of Bush Drive Sub
	21	MDRC5.5-E547-21	Bush Drive Sub Retaining Ring
	22	MDRC5.5-E547-22	Bit Retaining Ring
	23	MDRC5.5-E547-23	"O" Ring of Bit Retaining Ring
	24	MDRC5.5-E547-24	Shroud
	25	MDRC5.5-E547-25	Drive Sub
	26	MDRC5.5-E547-26	Drill Bit

Product Number

MDRC5.5-E547

Technical Parameters	
Length(Less bit)	1248mm
Weight(Less bit)	72.8Kg
External diameter	ø124.5mm
Bit Shank	RE547
Hole Range	ø130-ø146
Connection Thread	3.5"/4"/4.5"Remet 4.5"Metzke
Working Pressure	1.5-3.5Mpa
Impact rate at 2.4Mpa	35HZ
Recommended rotation speed	25-40r/min
Air Consumption (1.7Mpa)	16m ³ /min
Air Consumption (2.4Mpa)	22m ³ /min
Air Consumption (3.0Mpa)	27m ³ /min

Decomposition	Item	Part Number	Description
	1	MDRC5.5-P54-01	Top Sub
	2	MDRC5.5-P54-02	"O" Ring of Adaptor Tube
	3	MDRC5.5-P54-03	Adaptor Tube
	4	MDRC5.5-P54-04	Airscreen Bottom Load
	5	MDRC5.5-P54-05	"O" Ring of Airscreen Bottom Load
	6	MDRC5.5-P54-06	Circlip of Adaptor Tube
	7	MDRC5.5-P54-07	Plunger
	8	MDRC5.5-P54-08	"Y" Ring of Plunger
	9	MDRC5.5-P54-09	Spring
	10	MDRC5.5-P54-10	Make Up Ring, Steel
	11	MDRC5.5-P54-11	Make Up Ring, Viton
	12	MDRC5.5-P54-12	Distributor
	13	MDRC5.5-P54-13	"O" Ring of Distributor
	14	MDRC5.5-P54-14	"O" Ring of Sample Tube
	15	MDRC5.5-P54-15	"O" Ring of Sample Tube
	16	MDRC5.5-P54-16	Sample Tube
	17	MDRC5.5-P54-17	"O" Ring of Mount Sample Tube
	18	MDRC5.5-P54-18	Mount Sample Tube
	19	MDRC5.5-P54-19	Inner Cylinder
	20	MDRC5.5-P54-20	Piston
	21	MDRC5.5-P54-21	Piston Case
	22	MDRC5.5-P54-22	Bush Drive Sub Retaining Ring
	23	MDRC5.5-P54-23	Bush Drive Sub
	24	MDRC5.5-P54-24	"O" Ring of Bush Drive Sub
	25	MDRC5.5-P54-25	"O" Ring of Bush Drive Sub
	26	MDRC5.5-P54-26	Bit Retaining Ring
	27	MDRC5.5-P54-27	"O" Ring of Bit Retaining Ring
	28	MDRC5.5-P54-28	Shroud
	29	MDRC5.5-P54-29	Drive Sub
	30	MDRC5.5-P54-30	Drill Bit

Technical Parameters

Length(Less bit)	1294mm
Weight(Less bit)	81.7Kg
External diameter	ø130mm
Bit Shank	PR54
Hole Range	ø136-ø150
Connection Thread	4"/4.5"Remet 4.5"Metzke
Working Pressure	1.5-3.5Mpa
Impact rate at 2.4Mpa	35HZ
Recommended rotation speed	25-40r/min
Air Consumption (1.7Mpa)	16m³/min
Air Consumption (2.4Mpa)	22m³/min
Air Consumption (3.0Mpa)	27m³/min

Product Number

MDRC5.5-P54

Decomposition	Item	Part Number	Description
	1	MDRC6-A-01	Circlip of Top Sub
	2	MDRC6-A-02	"O" Ring of Adaptor Screen
	3	MDRC6-A-03	Adaptor Screen
	4	MDRC6-A-04	Top Sub
	5	MDRC6-A-05	"O" Ring of Top Sub
	6	MDRC6-A-06	Plunger
	7	MDRC6-A-07	"Y" Ring of Plunger
	8	MDRC6-A-08	Spring
	9	MDRC6-A-09	Spring Seat
	10	MDRC6-A-10	"O" Ring of Sample Tube
	11	MDRC6-A-11	Sample Tube
	12	MDRC6-A-12	"O" Ring of Sample Tube
	13	MDRC6-A-13	Compression Buffer
	14	MDRC6-A-14	Mount Sample Tube
	15	MDRC6-A-15	Inner Cylinder
	16	MDRC6-A-16	Piston
	17	MDRC6-A-17	Piston Case
	18	MDRC6-A-18	Piston Retaining Ring
	19	MDRC6-A-19	Bush Drive Sub
	20	MDRC6-A-20	"O" Ring of Bush Drive Sub
	21	MDRC6-A-21	Bit Retaining Ring
	22	MDRC6-A-22	"O" Ring of Bit Retaining Ring
	23	MDRC6-A-23	Shroud
	24	MDRC6-A-24	Drive Sub
	25	MDRC6-A-25	Drill Bit

Product Number

MDRC6-A

Technical Parameters	
Length(Less bit)	1320mm
Weight(Less bit)	86.20Kg
External diameter	ø146mm
Bit Shank	RC6A/RC6AR
Hole Range	ø152-ø180
Connection Thread	Upon the thread of the drill tube
Working Pressure	1.5-3.5Mpa
Impact rate at 2.4Mpa	28HZ
Recommended rotation speed	25-40r/min
Air Consumption (1.7Mpa)	20m ³ /min
Air Consumption (2.4Mpa)	26m ³ /min
Air Consumption (3.0Mpa)	35m ³ /min

Decomposition	Item	Part Number	Description
	1	MDRC8-A-01	Circlip of Top Sub
	2	MDRC8-A-02	"O" Ring of Adaptor Screen
	3	MDRC8-A-03	Adaptor Screen
	4	MDRC8-A-04	Top Sub
	5	MDRC8-A-05	"O" Ring of Top Sub
	6	MDRC8-A-06	Plunger
	7	MDRC8-A-07	"Y" Ring of Plunger
	8	MDRC8-A-08	Spring
	9	MDRC8-A-09	Spring Seat
	10	MDRC8-A-10	"O" Ring of Sample Tube
	11	MDRC8-A-11	Sample Tube
	12	MDRC8-A-12	"O" Ring of Sample Tube
	13	MDRC8-A-13	Compression Buffer
	14	MDRC8-A-14	Mount Sample Tube
	15	MDRC8-A-15	Inner Cylinder
	16	MDRC8-A-16	Piston
	17	MDRC8-A-17	Piston Case
	18	MDRC8-A-18	Piston Retaining Ring
	19	MDRC8-A-19	Bush Drive Sub
	20	MDRC8-A-20	"O" Ring of Bush Drive Sub
	21	MDRC8-A-21	Bit Retaining Ring
	22	MDRC8-A-22	"O" Ring of Bit Retaining Ring
	23	MDRC8-A-23	Shroud
	24	MDRC8-A-24	Drive Sub
	25	MDRC8-A-25	Drill Bit

Product Number

MDRC8-A

Technical Parameters

Length(Less bit)	1480mm
Weight(Less bit)	140.5Kg
External diameter	ø188mm
Bit Shank	RC8A/RC8AR
Hole Range	ø195-ø230
Connection Thread	Upon the thread of the drill tube
Working Pressure	1.5-3.5Mpa
Impact rate at 2.4Mpa	24HZ
Recommended rotation speed	25-40r/min
Air Consumption (1.7Mpa)	28m ³ /min
Air Consumption (2.4Mpa)	38m ³ /min
Air Consumption (3.0Mpa)	52m ³ /min

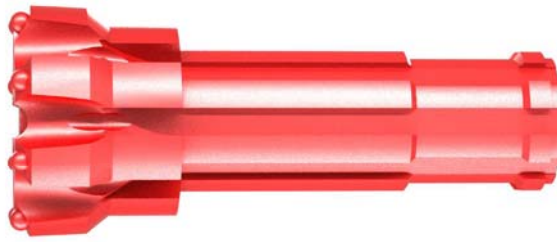
Decomposition	Item	Part Number	Description
	1	MDRC10-A-01	Circlip of Top Sub
	2	MDRC10-A-02	"O" Ring of Adaptor Screen
	3	MDRC10-A-03	Adaptor Screen
	4	MDRC10-A-04	Top Sub
	5	MDRC10-A-05	"O" Ring of Top Sub
	6	MDRC10-A-06	Plunger
	7	MDRC10-A-07	"Y" Ring of Plunger
	8	MDRC10-A-08	Spring
	9	MDRC10-A-09	Spring Seat
	10	MDRC10-A-10	"O" Ring of Sample Tube
	11	MDRC10-A-11	Sample Tube
	12	MDRC10-A-12	"O" Ring of Sample Tube
	13	MDRC10-A-13	Compression Buffer
	14	MDRC10-A-14	Mount Sample Tube
	15	MDRC10-A-15	Inner Cylinder
	16	MDRC10-A-16	Piston
	17	MDRC10-A-17	Piston Case
	18	MDRC10-A-18	Piston Retaining Ring
	19	MDRC10-A-19	Bush Drive Sub
	20	MDRC10-A-20	"O" Ring of Bush Drive Sub
	21	MDRC10-A-21	Bit Retaining Ring
	22	MDRC10-A-22	"O" Ring of Bit Retaining Ring
	23	MDRC10-A-23	Shroud
	24	MDRC10-A-24	Drive Sub
	25	MDRC10-A-25	Drill Bit

Product Number

MDRC10-A

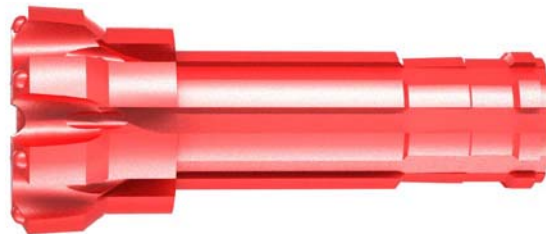
Technical Parameters	
Length(Less bit)	1528mm
Weight(Less bit)	304.3Kg
External diameter	ø258.6mm
Bit Shank	RC10A/RC10AR
Hole Range	ø250-ø370
Connection Thread	Upon the thread of the drill tube
Working Pressure	1.5-3.5Mpa
Impact rate at 2.4Mpa	20HZ
Recommended rotation speed	15-20r/min
Air Consumption (1.7Mpa)	36m ³ /min
Air Consumption (2.4Mpa)	48m ³ /min
Air Consumption (3.0Mpa)	65m ³ /min

RE 531



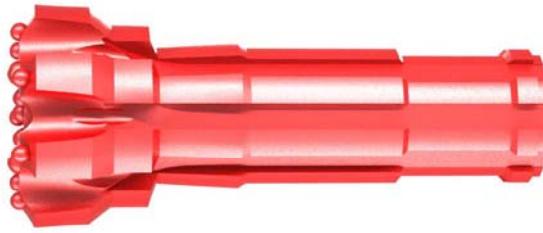
Diameter		Gauge Buttons	No × Button diameter (mm)			Button angle°	Flushing holes	Shroud Diameter	Weight (kg)	Part No
mm	Inch		Front Buttons							
			Flat Face	Concave Face	Convex Face					
85	3 3/8	6×14	4×12	2×10	/	35	2	83	3.8	RE531-85
90	3 1/2	6×14	4×12	2×10	/	35	2	88	4.0	RE531-90
95	3 3/4	6×14	4×12	2×12	/	35	2	93	4.1	RE531-95
100	4	6×14	4×12	2×12	/	35	2	98	4.3	RE531-100

RE 004



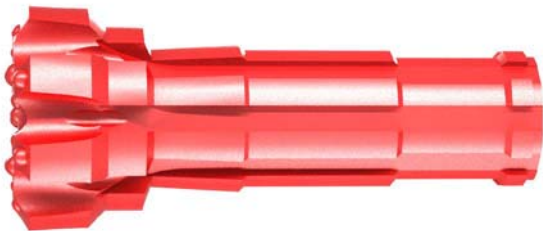
Diameter		Gauge Buttons	No × Button diameter (mm)			Button angle°	Flushing holes	Shroud Diameter	Weight (kg)	Part No
mm	Inch		Front Buttons							
			Flat Face	Concave Face	Convex Face					
115	4 1/2	8×14	4×14	2×14	/	35	2	113	11.8	RE004-115
115	4 1/2	8×14	6×14	2×14	/	35	2	113	11.9	RE004-115-1
121	4 3/4	8×14	4×14	3×13	/	35	2	119	12.0	RE004-121
121	4 3/4	8×14	6×14	3×13	/	35	2	119	12.1	RE004-121-1
124	4 7/8	8×14	4×14	3×13	/	35	2	122	12.2	RE004-124
124	4 7/8	8×14	6×14	3×13	/	35	2	122	12.3	RE004-124-1

RE 542



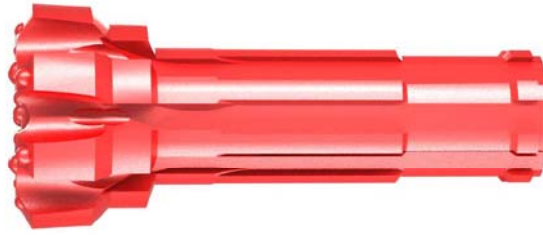
Diameter		Gauge Buttons	No × Button diameter (mm)			Button angle°	Flushing holes	Shroud Diameter	Weight (kg)	Part No
mm	Inch		Front Buttons							
			Flat Face	Concave Face	Convex Face					
120	4 3/4	8×14	4×14	3×13	/	35	2	118	10.5	RE542-120
120	4 3/4	8×14	6×14	3×13	/	35	2	118	10.6	RE542-120-1
127	5	8×14	4×14	3×14	/	35	2	125	10.9	RE542-127
127	5	8×14	6×14	3×14	/	35	2	125	11.0	RE542-127-1
130	5 1/8	8×16	4×14	3×14	/	35	2	128	11.1	RE542-130
130	5 1/8	8×16	6×14	3×14	/	35	2	128	11.2	RE542-130-1

RE 543



Diameter		Gauge Buttons	No × Button diameter (mm)			Button angle°	Flushing holes	Shroud Diameter	Weight (kg)	Part No
mm	Inch		Front Buttons							
			Flat Face	Concave Face	Convex Face					
127	5	8×14	4×14	3×14	/	35	2	125	10.9	RE543-127
127	5	8×14	6×14	3×14	/	35	2	125	11.0	RE543-127-1
130	5 1/8	8×16	4×14	3×14	/	35	2	128	11.1	RE543-130
130	5 1/8	8×16	6×14	3×14	/	35	2	128	11.2	RE543-130-1
133	5 1/4	8×16	4×14	3×14	/	35	2	131	11.3	RE543-133
133	5 1/4	8×16	6×14	3×14	/	35	2	131	11.4	RE543-133-1

RE 545



Diameter		Gauge Buttons	No × Button diameter (mm)			Button angle°	Flushing holes	Shroud Diameter	Weight (kg)	Part No
mm	Inch		Front Buttons							
			Flat Face	Concave Face	Convex Face					
130	5 1/8	8×16	4×14	3×14	/	35	2	128	11.1	RE545-130
130	5 1/8	8×16	6×14	3×14	/	35	2	128	11.2	RE545-130-1
134	5 1/4	8×16	4×16	3×14	/	35	2	132	11.3	RE545-134
134	5 1/4	8×16	6×16	3×14	/	35	2	132	11.4	RE545-134-1
140	5 1/2	8×16	4×16	3×14	/	35	2	138	11.7	RE545-140
140	5 1/2	8×16	6×16	3×14	/	35	2	138	11.8	RE545-140-1

PR 40



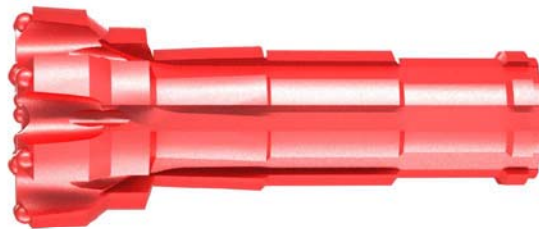
Diameter		Gauge Buttons	No × Button diameter (mm)			Button angle°	Flushing holes	Shroud Diameter	Weight (kg)	Part No
mm	Inch		Front Buttons							
			Flat Face	Concave Face	Convex Face					
130	5 1/8	8×16	4×14	3×14	/	35	2	128	14.5	PR40-130
130	5 1/8	8×16	6×14	3×14	/	35	2	128	14.6	PR40-130-1
133	5 1/4	8×16	4×16	3×14	/	35	2	131	14.7	PR40-133
133	5 1/4	8×16	6×16	3×14	/	35	2	131	14.8	PR40-133-1
140	5 1/2	8×16	4×16	3×14	/	35	2	138	15.0	PR40-140
140	5 1/2	8×16	6×16	3×14	/	35	2	138	15.1	PR40-140-1

PR 52



Diameter		Gauge Buttons	No × Button diameter (mm)			Button angle°	Flushing holes	Shroud Diameter	Weight (kg)	Part No
mm	Inch		Front Buttons							
			Flat Face	Concave Face	Convex Face					
140	5 1/2	8×16	4×16	3×14	/	35	2	138	16.6	PR52-140
140	5 1/2	8×16	6×16	3×14	/	35	2	138	16.7	PR52-140-1
143	5 5/8	8×16	4×16	3×14	/	35	2	141	16.8	PR52-143
143	5 5/8	8×16	6×16	3×14	/	35	2	141	16.9	PR52-143-1
146	5 3/4	8×16	4×16	3×14	/	35	2	144	17.0	PR52-146
146	5 3/4	8×16	6×16	3×14	/	35	2	144	17.1	PR52-146-1

PR 54



Diameter		Gauge Buttons	No × Button diameter (mm)			Button angle°	Flushing holes	Shroud Diameter	Weight (kg)	Part No
mm	Inch		Front Buttons							
			Flat Face	Concave Face	Convex Face					
140	5 1/2	8×16	4×16	3×14	/	35	2	138	19.0	PR54-140
140	5 1/2	8×16	6×16	3×14	/	35	2	138	19.1	PR54-140-1
143	5 5/8	8×16	4×16	3×14	/	35	2	141	19.2	PR54-143
143	5 5/8	8×16	6×16	3×14	/	35	2	141	19.3	PR54-143-1
146	5 3/4	8×16	4×16	3×14	/	35	2	144	19.4	PR54-146
146	5 3/4	8×16	6×16	3×14	/	35	2	144	19.5	PR54-146-1

RE 547



Diameter		Gauge Buttons	No × Button diameter (mm)			Button angle°	Flushing holes	Shroud Diameter	Weight (kg)	Part No
mm	Inch		Front Buttons							
			Flat Face	Concave Face	Convex Face					
140	5 1/2	8×16	4×16	3×14	/	35	2	138	14.3	RE547-140
140	5 1/2	8×16	6×16	3×14	/	35	2	138	14.4	RE547-140-1
143	5 5/8	8×16	4×16	3×14	/	35	2	141	14.5	RE547-143
143	5 5/8	8×16	6×16	3×14	/	35	2	141	14.6	RE547-143-1
146	5 3/4	8×16	4×16	3×14	/	35	2	144	14.8	RE547-146
146	5 3/4	8×16	6×16	3×14	/	35	2	144	14.9	RE547-146-1

RC 6A



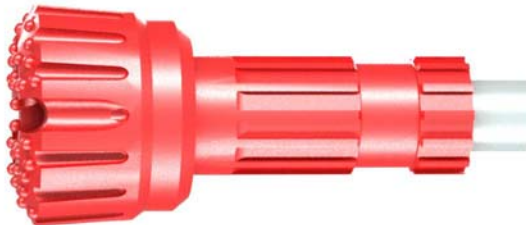
Diameter		Gauge Buttons	No × Button diameter (mm)			Button angle°	Flushing holes	Shroud Diameter	Weight (kg)	Part No
mm	Inch		Front Buttons							
			Flat Face	Concave Face	Convex Face					
152	6	8×16	6×16	4×14	/	35	2	150	20.5	RC6A -152
160	6 1/4	8×16	6×16	4×14	/	35	2	158	21.6	RC6A -160
165	6 1/2	8×18	6×16	4×14	/	35	2	163	22.3	RC6A -165
178	7	8×18	8×16	4×16	/	35	2	176	23.8	RC6A -178

RC 8A



Diameter		Gauge Buttons	No × Button diameter (mm)			Button angle°	Flushing holes	Shroud Diameter	Weight (kg)	Part No
mm	Inch		Front Buttons							
			Flat Face	Concave Face	Convex Face					
203	8	10×18	8×18	6×16	/	35	2	201	47.7	RC8A-203
210	8 1/4	10×18	8×18	6×16	/	35	2	208	48.3	RC8A-210
216	8 1/2	10×18	8×18	6×16	/	35	2	214	49.1	RC8A-216
229	9	10×19	10×18	6×16	/	35	2	227	52.0	RC8A-229

RC 10A



Diameter		Gauge Buttons	No × Button diameter (mm)			Button angle°	Flushing holes	Shroud Diameter	Weight (kg)	Part No
mm	Inch		Front Buttons							
			Flat Face	Concave Face	Convex Face					
300	11 13/16	16×19	20×16	4×16	12×18	35	2	298	152.4	RC10A-300
330	13	16×19	22×18	6×18	12×19	35	2	328	168.9	RC10A-330
345	13 9/16	16×19	24×18	6×18	12×19	35	2	343	179.1	RC10A-345
360	14 3/16	16×19	26×18	6×18	12×19	35	2	358	243.3	RC10A-360

Reverse circulation pipes(dual wall drilling)

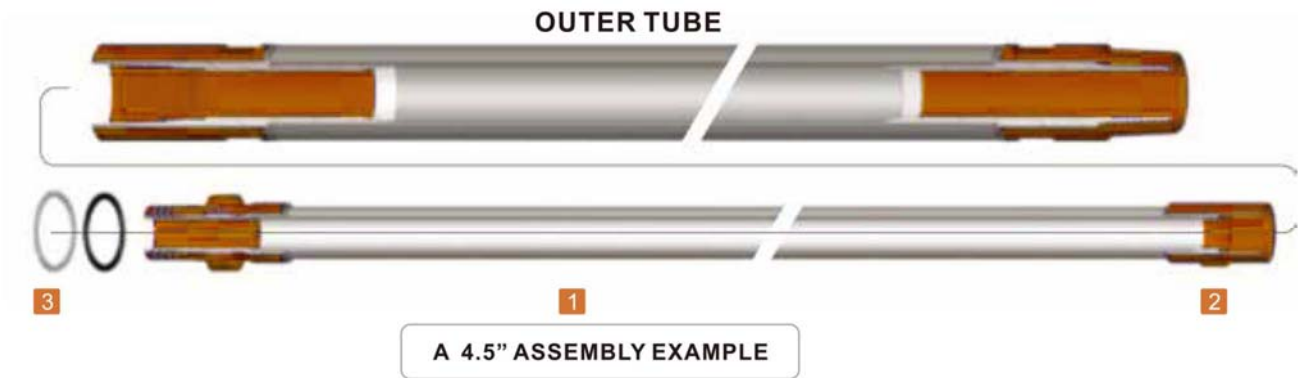
Reverse circulation drill string

This series reverse circulation pipes can increase penetration in lost-circulation formation, reduce drilling fluid consumption, protect reservoir stratum and save the cost of other consumption tools. In addition, the pipes can be worked in two direction circulation drilling ways to control the well drilling. By reverse circulation method to kill the well the heavy mud can be transferred directly to the bottom of the well, no periodic circulation and save time.

Remet Rod

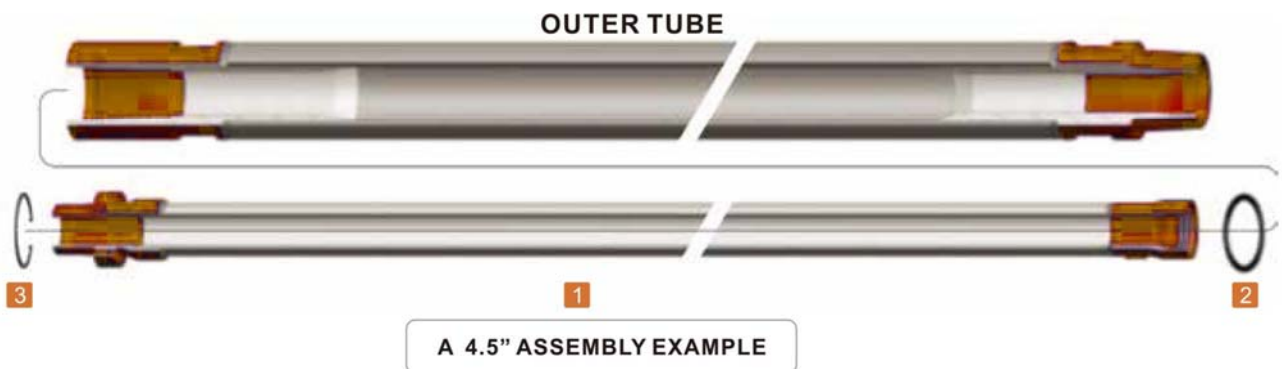
	Rod	1- Inner Tube	2-O -Ring	3-Circlip
1	4 1/2" X 6m Remet	4 1/2" X 6m Remet	4 1/2" Remet/Metzke	4 1/2" Remet
2	4 1/2" X 3m Remet	4 1/2" X 3m Remet	4 1/2" Remet/Metzke	4 1/2" Remet
3	4" X 6m Remet	4" X 6m Remet	4" Remet	4 1/2" Remet/Metzke
4	4" X 3m Remet	4" X 3m Remet	4" Remet	4 1/2" Remet/Metzke
5	3 1/2" X 6m Remet	3 1/2" X 6m Remet	3 1/2" Remet/Metzke	3 1/2" Remet/Metzke
6	3 1/2" X 3m Remet	3 1/2" X 3m Remet	3 1/2" Remet/Metzke	3 1/2" Remet/Metzke

Reverse circulation pipes(dual wall drilling)



Metzke Rod

	Rod	1- Inner Tube	2-O -Ring	3-Circlip
1	4 1/2" X 6m Metzke	4 1/2" X 6m Metzke	4 1/2" Metzke/ Remet	4 1/2" Metzke/ Remet
2	4 1/2" X 3m Metzke	4 1/2" X 3m Metzke	4 1/2" Metzke/ Remet	4 1/2" Metzke/ Remet
3	4" X 6m Metzke	4" X 6m Metzke	4" Metzke	4 1/2" Metzke
4	4" X 3m Metzke	4" X 3m Metzke	4" Metzke	4 1/2" Metzke
5	3 1/2" X 6m Metzke	3 1/2" X 6m Metzke	3 1/2" Metzke/ Remet	3 1/2" Metzke/ Remet
6	3 1/2" X 3m Metzke	3 1/2" X 3m Metzke	3 1/2" Metzke/ Remet	3 1/2" Metzke/ Remet





 Add:9/F, Fuzhong International Plaza, No.72 Xinhua Road, Nanming District, GuiYang, China

 Factory in Guizhou :Er Guan Ba Industry Park, Jiuchang Town, Xiuwen County, Guizhou Province, China

 Tel:86-851-88639106 Fax:86-851-88639108

 E-mail:office@kemaico.com info@kemaico.com

 Web:www.maxdrillrocktools.com www.maxdrill.com.cn